

TEAC

SERVICE MANUAL

CD-P1850

COMPACT DISC PLAYER



For Europe

1 SPECIFICATIONS

CONTENTS

1 SPECIFICATIONS	2
2 EXPLODED VIEWS AND PARTS LIST	3
3 PC BOARDS AND PARTS LIST	7
4 INCLUDED ACCESSORIES	11
5 BLOCK DIAGRAM	12

NOTES

- PC boards shown are viewed from parts side.
- The parts with no reference number or no parts number in the exploded views are not supplied.
- As regards the resistors and capacitors, refer to the circuit diagrams contained in this manual.
- ⚠ Parts marked with this sign are safety critical components. They must be replaced with identical components - refer to the appropriate parts list and ensure exact replacement.
- Parts of [] mark can be used only with the version designated.
[E]:EUROPE [UK]:U. K.

CD PLAYER

Pickup:

3-beam, semiconductor laser

D/A Converter:

1 bit DAC

Digital filter:

8-times oversampling

Frequency Response:

20 Hz ~ 20 kHz \pm 1.5dB

Total Harmonic Distortion:

< 0.02 % (1 kHz)

Signal-to-Noise Ratio (S/N):

>85 dB (1 kHz)

Channel Separation:

>80 dB (1 kHz)

Output:

Analog; 2.0 Vrms (RCA)

Digital; TOS OPTICAL

Wow and Flutter:

Below measurable limit

GENERAL

Power Requirements:

230 VAC, 50Hz (UK/Europe Model)

240 VAC, 50Hz (Australia Model)

Power Consumption:

12 Watts (AC)

Dimensions (W x H x D):

435 x 104 x 290mm

(17-1/8" x 4-1/8" x 11-7/16")

Net Weight:

3.6 kg

Standard Accessories:

Wireless Remote Control Unit (RC-682)

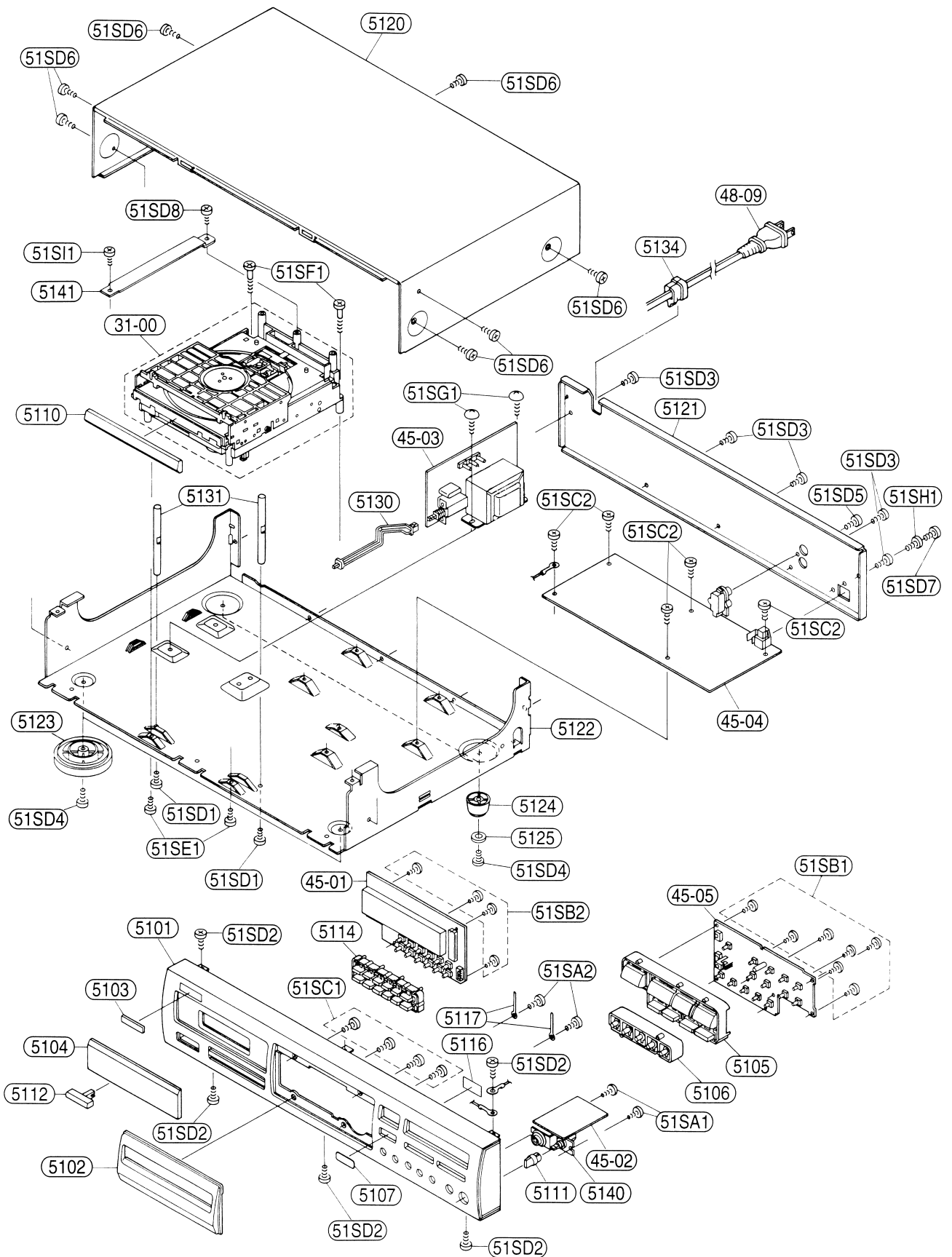
RCA pin-plug cord

Battery (SUM-3, "AA", "R6" type) x 2

- Design and specifications are subject to change without notice.

2 EXPLODED VIEWS AND PARTS LIST

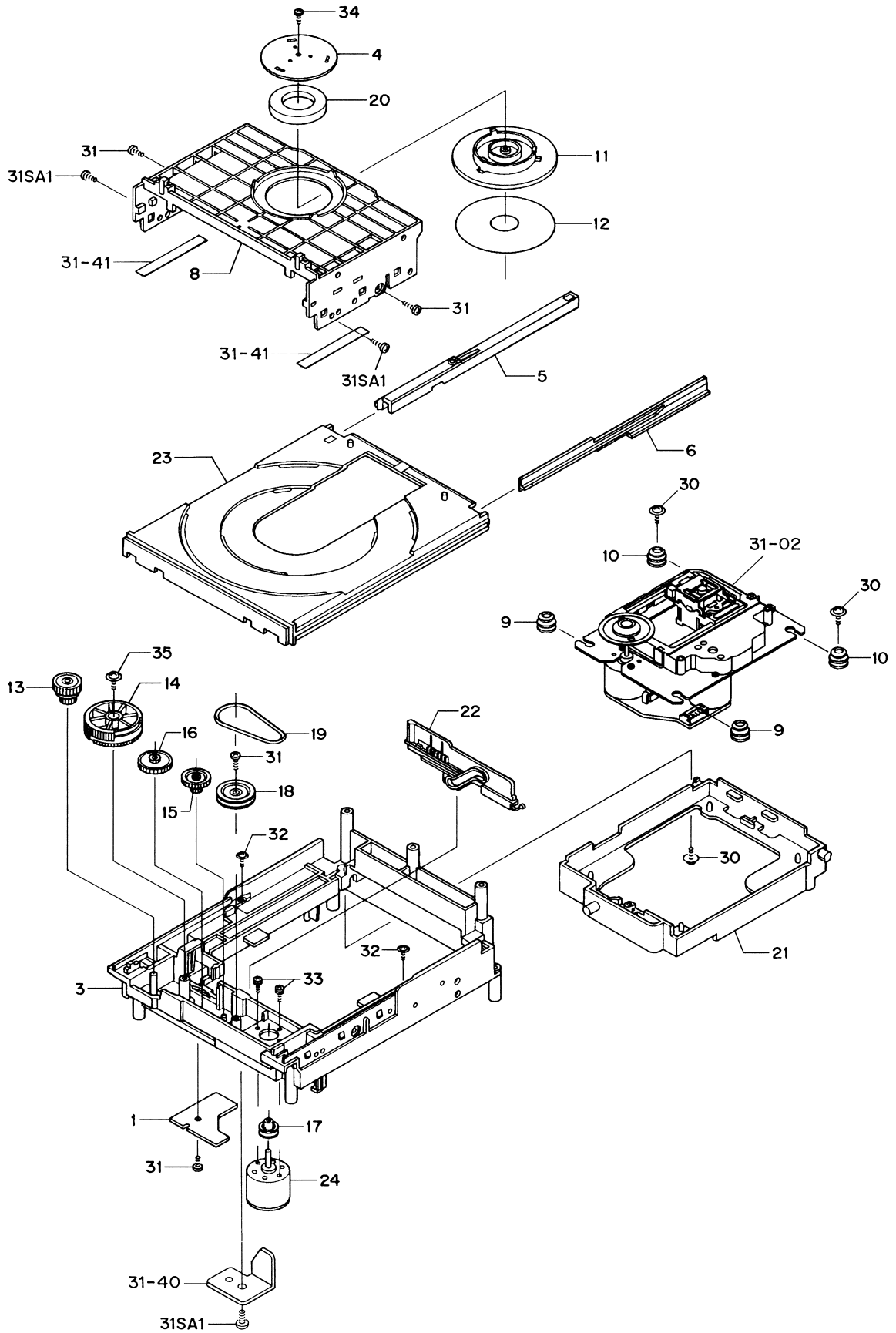
EXPLODED VIEW-1



EXPLODED VIEW-1

REF. NO.	PARTS NO.	DESCRIPTION	REMARKS
31-00	9A09092400	MECHA, CD93F8NDT	
45-01	9A08891700	PCB ASSY, DISPLAY	
45-02	9A07273210	PCB ASSY, H. P.	
45-03	9A08891810	PCB ASSY, POWER 230V [UK]	
	9A08891820	PCB ASSY, POWER 230V [E]	
45-04	9A08891900	PCB ASSY, MAIN	
45-05	9A08892200	PCB ASSY, KEYSW	
48-09	△ 9A07258200	POWER CORD [UK]	
	△ 9A09196200	POWER CORD [E]	
5101	9A08892300	ESCUTCHEON	
5102	9A07273900	PANEL, TRAY	
5103	9A06844100	BADGE	
5104	9A07077500	WINDOW	
5105	9A07149000	BUTTON, PLAY	
5106	9A07077900	BUTTON, FUNCTION	
5107	9A07079200	FILTER, IR	
5110	9A07149200	DECORATION, TRAY	
5111	9A07077700	KNOB, ROTARY	
5112	9A07077800	KNOB, PUSH	
5114	9A07274000	BUTTON, 12KEY	
5116	9A07079800	SHEET, IR	
5117	9A07079000	LUG	
5120	9A07077000	COVER, TOP	
5121	9A08892400	PANEL, REAR	
5122	9A07078400	CHASSIS	
5123	9A06842900	ASSY, LEG	
5124	9A07078300	LEG	
5125	9A07080000	FELT	
5130	9A07078800	JOINT	
5131	9A07078900	POST	
5134	△ 9A06846200	BUSHING, NIFCO 2271	
5140	9A07078500	BRACKET-E, JACK	
5141	9A07078700	BRACKET-M, TOP	
51SA1	9A06855600	SCREW, S-TPG BIN 2.6X6	
51SA2	9A06855600	SCREW, S-TPG BIN 2.6X6	
51SB1	9A00768400	SCREW, S-TPG BRZ M2.6X8	
51SB2	9A00768400	SCREW, S-TPG BRZ M2.6X8	
51SC1	9A01589800	SCREW, S-TPG BIN M3X6	
51SC2	9A01589800	SCREW, S-TPG BIN M3X6	
51SD1	9A01041200	SCREW, S-TPG BIN M3X8	
51SD2	9A01041200	SCREW, S-TPG BIN M3X8	
51SD3	9A01041200	SCREW, S-TPG BIN M3X8	
51SD4	9A01041200	SCREW, S-TPG BIN M3X8	
51SD5	9A01041200	SCREW, S-TPG BIN M3X8	
51SD6	9A01041200	SCREW, S-TPG BIN M3X8	
51SD7	9A01041200	SCREW, S-TPG BIN M3X8	
51SD8	9A01041200	SCREW, S-TPG BIN M3X8	
51SE1	9A07086400	SCREW, S-TPG BIN 3X14	
51SF1	9A07086500	SCREW, S-TPG BIN 3X25	
51SG1	9A06856000	SCREW, S-TPG TR S4X6	
51SH1	9A07276200	SCREW, BIN+SW M3X6	
51S11	9A06855700	SCREW, S-TPG BIN 3X4	

EXPLODED VIEW-2

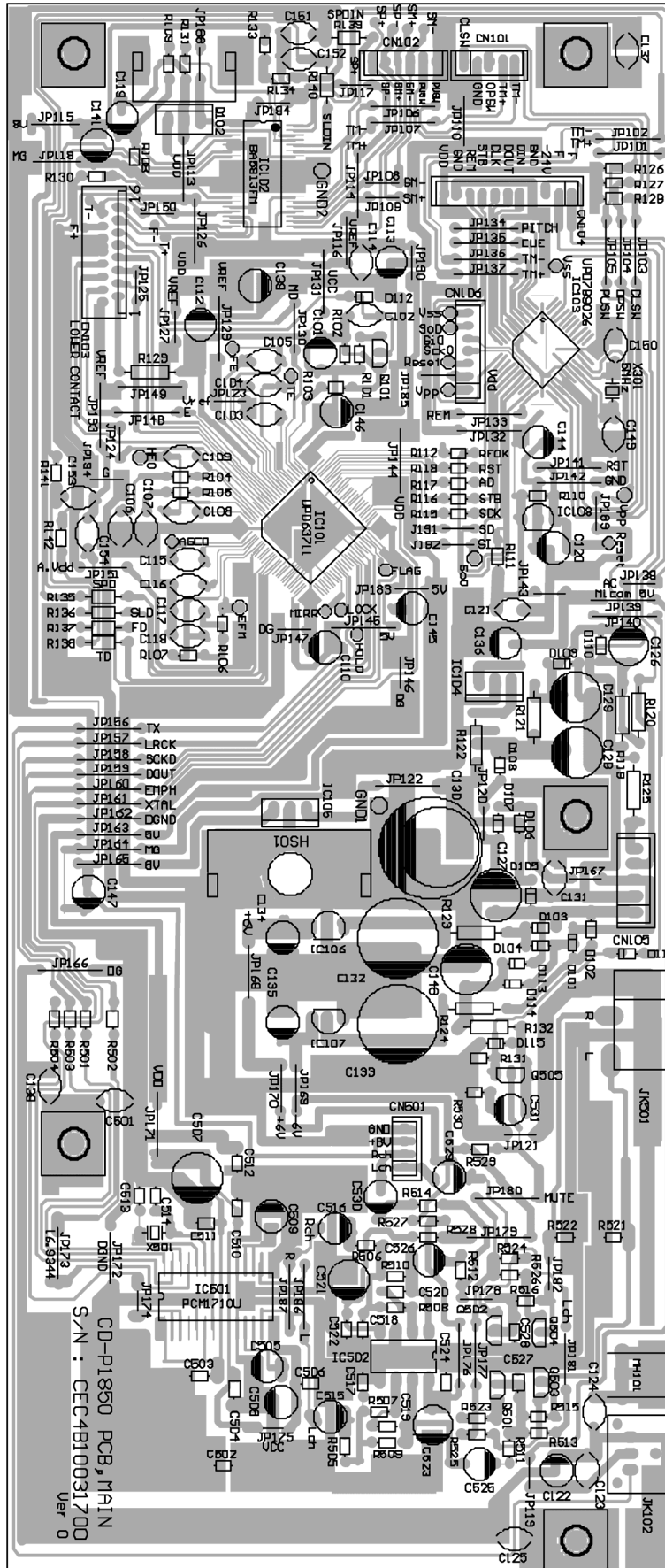


EXPLODED VIEW-2 (CD93F8NDT)

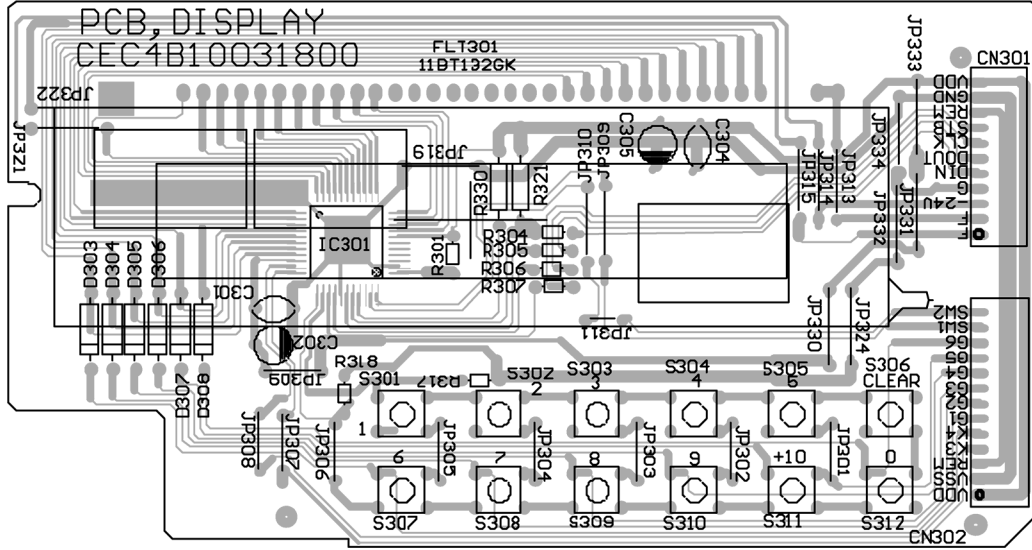
REF. NO.	PARTS NO.	DESCRIPTION	REMARKS
1	9A07071300	SWITCH PCB ASSY	
3	9A07072300	CHASSIS, FRAME	
4	9A07071400	PLATE, MAGNET	
5	9A07071500	LEFT RAIL ASSY	
6	9A07071600	RAIL, RIGHT	
8	9A07071800	SUPPORT, MAGNET	
9	9A08438700	CUSHION, RUBBER	
10	9A08438800	CUSHION, RUBBER	
11	9A07072100	HOLDER, MAGNET	
12	9A07072200	SHEET	
13	9A07072400	GEAR, LOADING	
14	9A07072500	GEAR, LIFTER	
15	9A07072600	GEAR, IDLER A	
16	9A07072700	GEAR, IDLER B	
17	9A07072800	PULLEY, MOTOR	
18	9A07072900	PULLEY, GEAR	
19	9A07073000	BELT, SQUARE	
20	9A02677600	MAGNET, DISC CLAMP	
21	9A08438600	LIFTER, MECHA	
22	9A07073200	SLIDE, LIFTER	
23	9A07073300	TABLE, LOADING	
24	9A03303300	MOTOR, 3.0V	
30	5760707700	SCREW, B-TITE SEMS M3X10	
31	9A07073500	SCREW, S-TPG BIN 2.6X8	
31-02	9A09093000	DRIVE MECHA, DA11T3CN	
31-40	9A07070800	BRACKET	
31-41	9A07070900	SHEET, MECHA	
31SA1	9A07071100	SCREW, S-TPG BIN 3X8	
32	9A07073600	SCREW, S-TPG PAN+FLG 2X6	
33	9A07073700	SCREW, PAN+SW 1.7X3.5	
34	9A07073800	SPECIAL SCREW	
35	9A07073400	SCREW, S-TPG BRZ+FLG 3X8	

3 PC BOARDS AND PARTS LIST

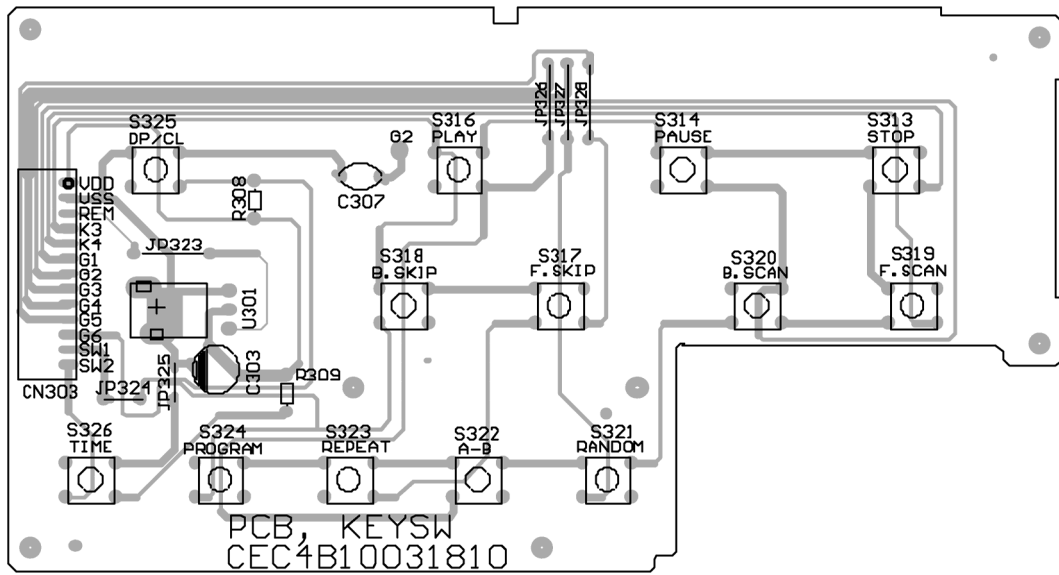
MAIN PCB



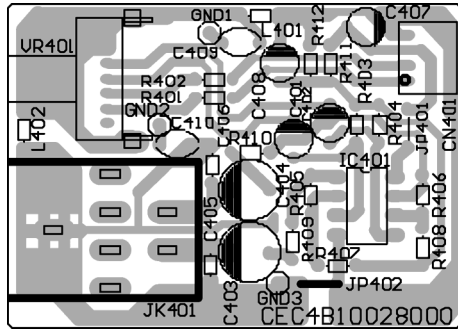
DISPLAY PCB



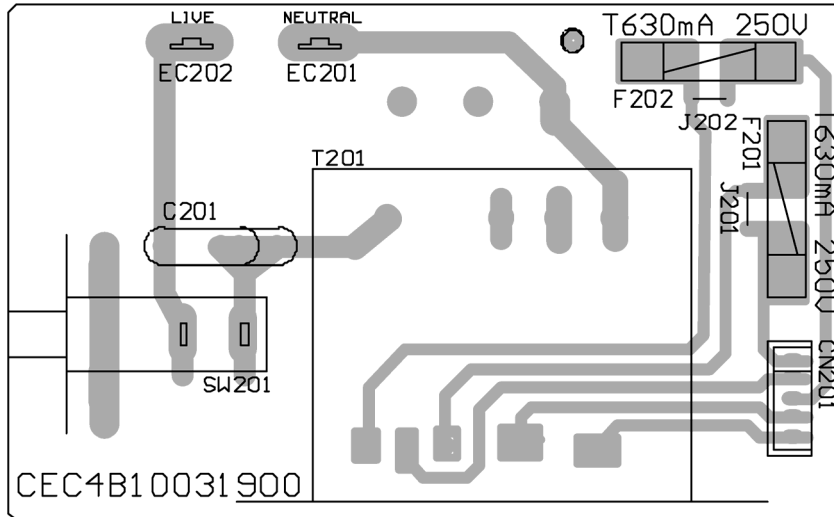
KEYSW PCB



HP PCB



POWER PCB



MAIN PCB ASSY

REF. NO.	PARTS NO.	DESCRIPTION
	9A08891900	PCB ASSY, MAIN
	9A08894300	PCB, MAIN
C130	△ 9A08899400	C, ELECT 4700U/25V M
CN101	9A08899700	PLUG, 5P PH V
CN102	9A08899800	PLUG, 6P PH V
CN103	9A08899500	PLUG, 16P 1.0 FFC
CN104	9A08900000	PLUG, 11P PH V
CN105	9A08900100	PLUG, 5P XH V
CN106	9A08899900	PLUG, 7P PH V
CN501	9A08899600	PLUG, 4P PH V
D101-D108	△ 9A08895400	DIODE, 1A3-I
D109	9A08895300	ZENER DIODE, GZB30B
D110	9A06853900	ZENER DIODE, MTZJ5. 1B-T-77
D111, D112	9A08895500	DIODE, 1SS133-T-77
D113, D114	9A08895400	DIODE, 1A3-I
D115	9A06853900	ZENER DIODE, MTZJ5. 1B-T-77
IC101	9A08894400	IC, UPD63711GC-8EU
IC102	9A08894500	IC, BA5813FM
IC103	9A08900400	IC, UPD78F9026AGB-8ES
IC104	△ 9A06854500	IC, NJM7805FA
IC105	△ 9A06854600	IC, NJM7808FA
IC105	9A07152400	HEAT SINK
IC106	△ 9A08894700	IC, NJM78L06A
IC107	△ 9A08894800	IC, NJM79L06A
IC108	9A08894900	IC, PST600D
IC501	9A07273100	IC, PCM1710U
IC502	9A06979600	IC, NJM2068D
JK102	9A07275000	CONVERTOR, GP1F32T
JK501	9A06859100	JACK, 2P, RCA
MH101	9A08900200	TERMINAL, GND
Q101	9A08895000	TR, 2SA933AS-TP
Q102	9A08895100	TR, 2SB1375
Q102	9A08900300	HEAT SINK
Q501-Q504	9A06857000	TR, 2SD1936-T-AC
Q505	9A08895200	TR, DTA124ES
R122-R124	△ 9A08897600	R, FUSIBLE 4.7 JA 1/4W
X301	9A08900500	RESONATOR, CERAMIC 5.00MHZ
X501	9A02264500	CRYSTAL, 16.9344MHZ

DISPLAY PCB ASSY

REF. NO.	PARTS NO.	DESCRIPTION
	9A08891700	PCB ASSY, DISPLAY
	9A08892900	PCB, DISPLAY
	9A07079700	PAD, FL
CN301	9A08893600	PLUG, 11P PH H
CN302	9A08893700	PLUG, 13P PH H
D303-D308	9A06853400	DIODE, 1SS133-T-77
FL301	9A07086600	FLT, 11-BT-132GK
IC301	9A08893500	IC, UPD16312
S301-S312	9A08467800	SWITCH, TACT

KEYSW PCB ASSY

REF. NO.	PARTS NO.	DESCRIPTION
	9A08892200	PCB ASSY, KEYSW
	9A08900600	PCB, KEYSW
CN303	9A08893700	PLUG, 13P PH H
SW313, 314	9A08467800	SWITCH, TACT
SW316-326	9A08467800	SWITCH, TACT
U301	9A06847600	IC, GP1U281X

H.P. PCB ASSY

REF. NO.	PARTS NO.	DESCRIPTION
	9A07273210	PCB ASSY, H. P.
	9A07080500	PCB, H. P.
IC401	9A07085500	IC, NJM4560D
JK401	9A07081200	JACK, H. P.
VR401	9A07082700	VR, ROTARY 50K

POWER PCB ASSY

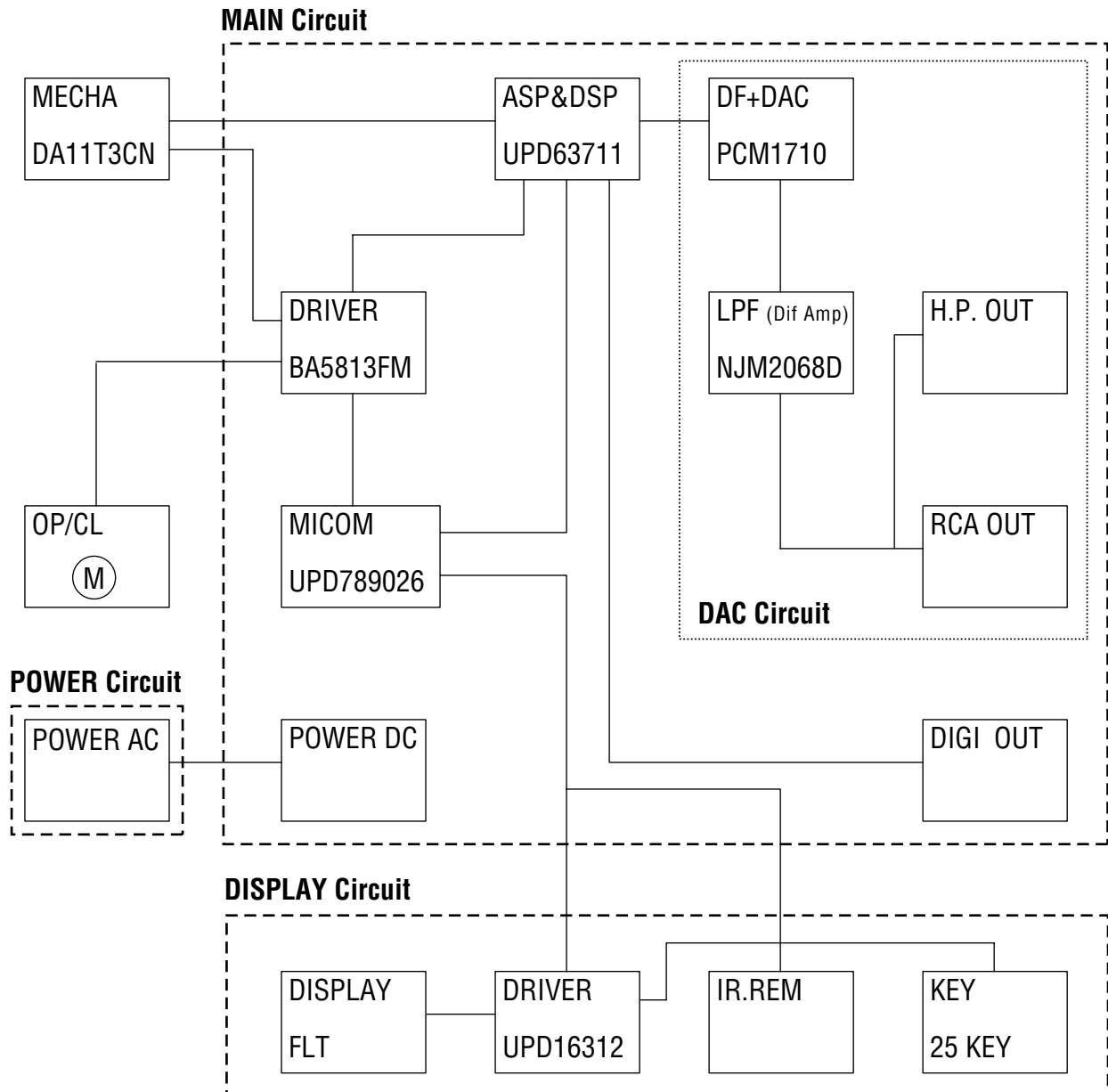
REF. NO.	PARTS NO.	DESCRIPTION
	9A08891810	PCB ASSY, POWER 230V [UK]
	9A08891820	PCB ASSY, POWER 230V [E]
	9A08894000	PCB, POWER
	△ 9A07258200	POWER CORD [UK]
	△ 9A09196200	POWER CORD [E]
	△ 9A09196100	TRANSFORMER
	△ 9A09196300	FUSE, 250V 630MA
EC201	5760663000	EC TERMINAL, 1P
EC202	5760663000	EC TERMINAL, 1P
F201	9A07088000	FUSE HOLDER
F202	9A07088000	FUSE HOLDER
SW201	△ 9A07083100	SWITCH, PUSH, POWER

4 INCLUDED ACCESSORIES

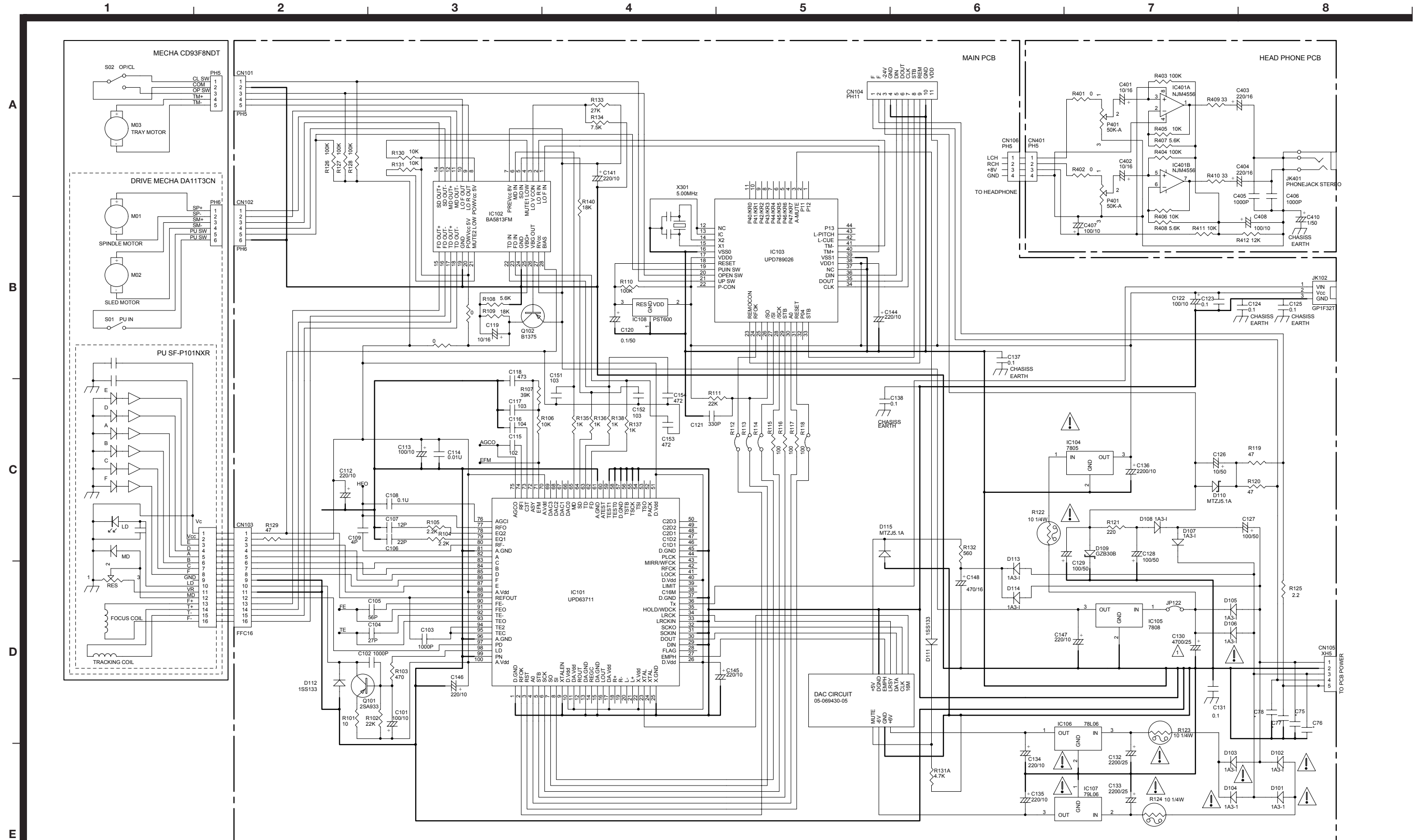
INCLUDED ACCESSORIES

REF. NO.	PARTS NO.	DESCRIPTION	REMARKS
	9A08751800	OWNER'S MNL, MULTI [E, UK]	
	9A08468900	REMOCON	
	9A07089700	BATTERY	
	9A06849900	PLUG, CORD, RCA	

5 BLOCK DIAGRAM



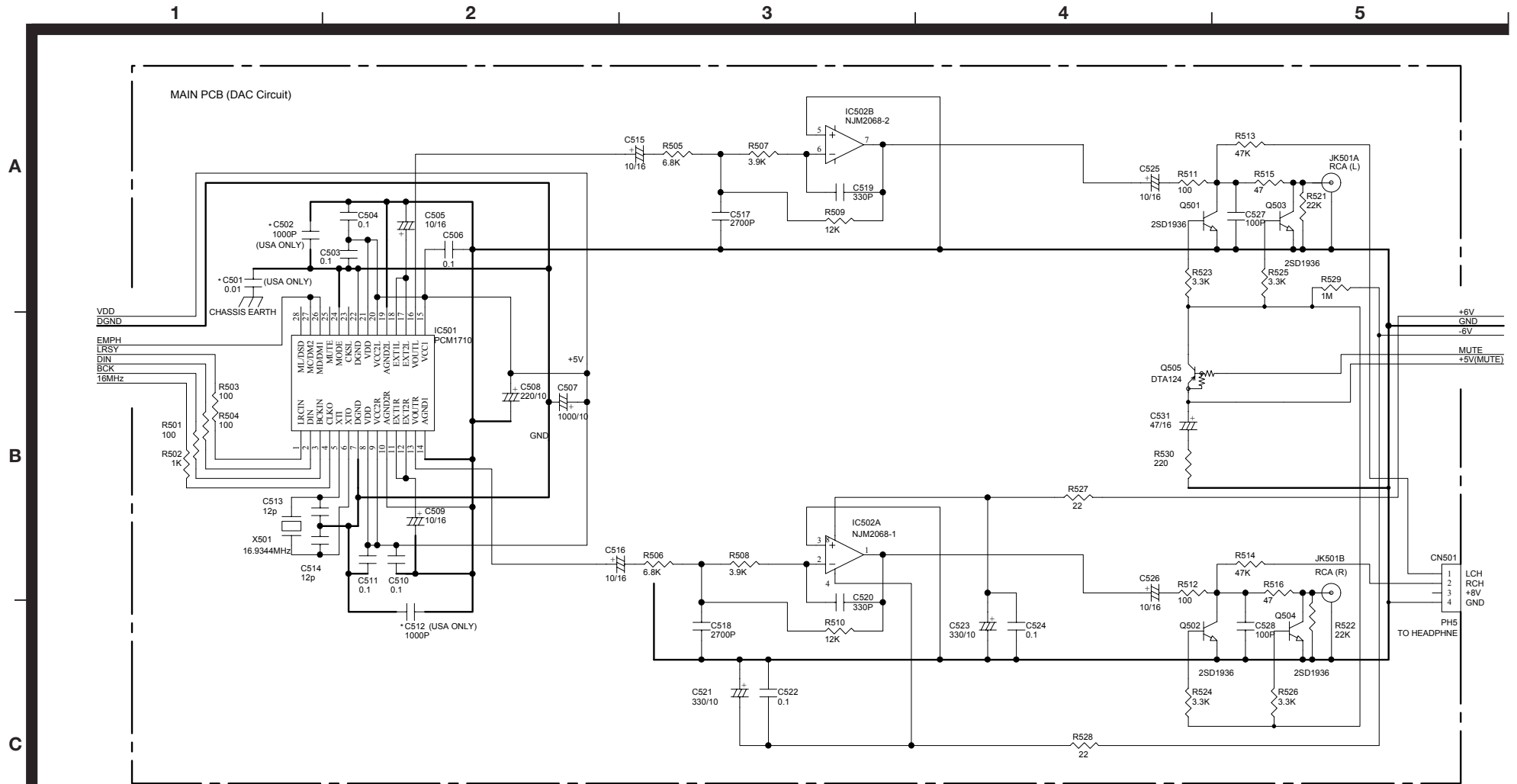
TEAC SCHEMATIC DIAGRAM CD-P1850 MAIN PCB, HEADPHONE PCB, MECHA



NOTES:
 1. Resistor values are in ohms (k=kilo-ohms, M=megohms).
 2. Capacitor values are in microfarads (μ=picofarads).
 3. △Parts marked with this sign are safety critical components. They must always be replaced with identical components-refer to the appropriate parts list and ensure exact replacement.

注意
 1. 抵抗の単位はΩ (k=kΩ, M=MΩ) です。
 2. コンデンサの単位はμF (p=pF) です。
 3. △マークのある部品は安全規格重要部品です。交換するときは必ずティアップ指定の部品を使用してください。

TEAC SCHEMATIC DIAGRAM CD-P1850 MAIN PCB (DAC Circuit)



NOTES:

1. Resistor values are in ohms (k=kilo-ohms, M=megohms).
2. Capacitor values are in microfarads (p=picofarads).
3. Δ Parts marked with this sign are safety critical components. They must always be replaced with identical components-refer to the appropriate parts list and ensure exact replacement.

注意

1. 抵抗の単位は Ω (k=k Ω , M=M Ω)です。
2. コンデンサの単位は μF (p=pF)です。
3. Δ マークのある部品は安全規格重要部品です。交換するときは必ずティアック指定の部品を使用してください。

CD-P1850

COMPACT DISC PLAYER

1st Issue; March 2001

TEAC SCHEMATIC DIAGRAM CD-P1850 DISPLAY PCB, KEY SW PCB

1

2

3

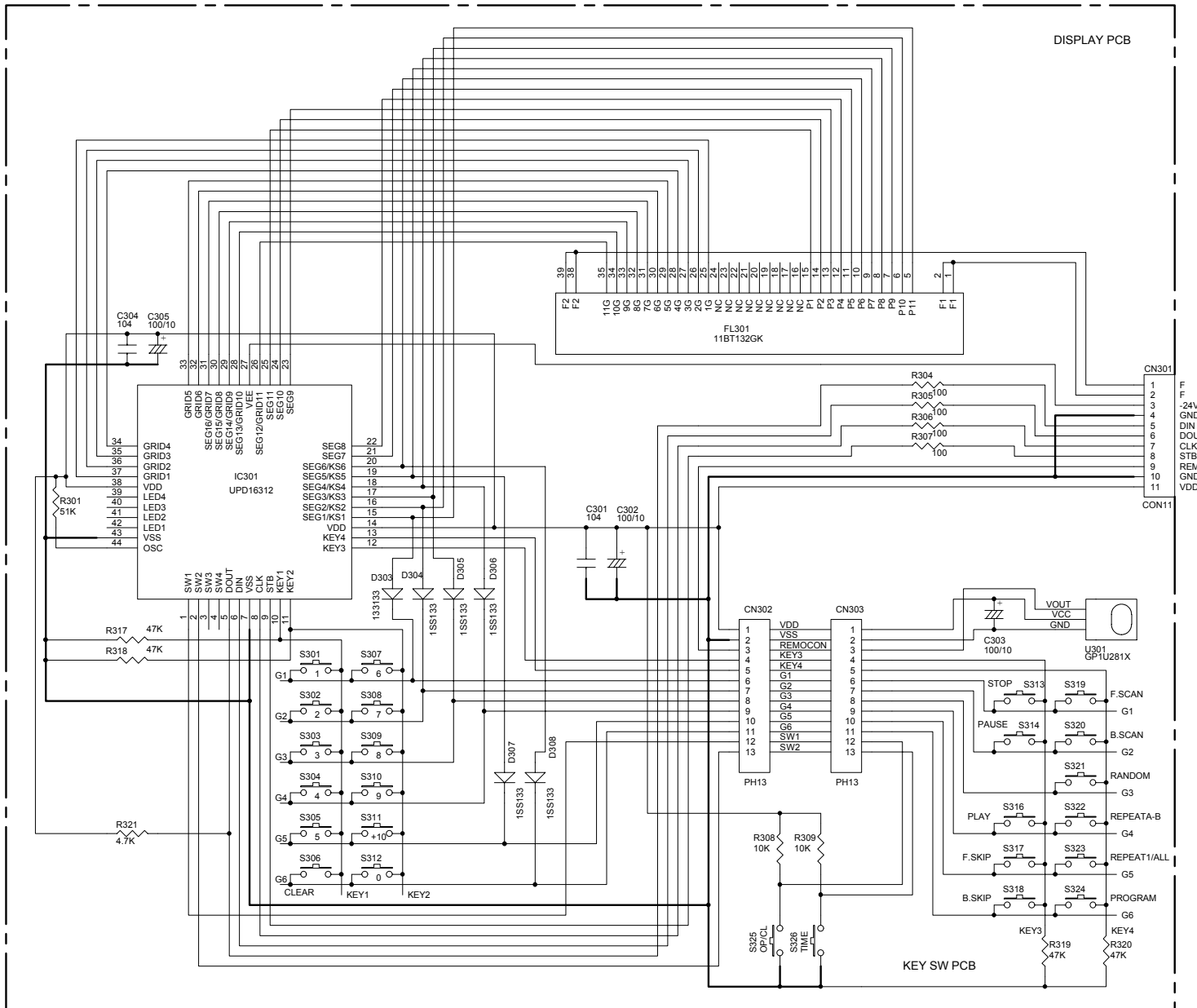
4

5

A

B

C



NOTES:

1. Resistor values are in ohms (k=kilo-ohms, M=megohms).
2. Capacitor values are in microfarads (p=picofarads).
3. △Parts marked with this sign are safety critical components. They must always be replaced with identical components-refer to the appropriate parts list and ensure exact replacement.

注意

1. 抵抗の単位はΩ (k=kΩ, M=MΩ) です。
2. コンデンサの単位はμF (p=pF) です。
3. △マークのある部品は安全規格重要部品です。交換するときは必ずティアック指定の部品を使用してください。

CD-P1850

COMPACT DISC PLAYER

1st Issue; March 2001

TEAC SCHEMATIC DIAGRAM CD-P1850 POWER PCB

1

2

3

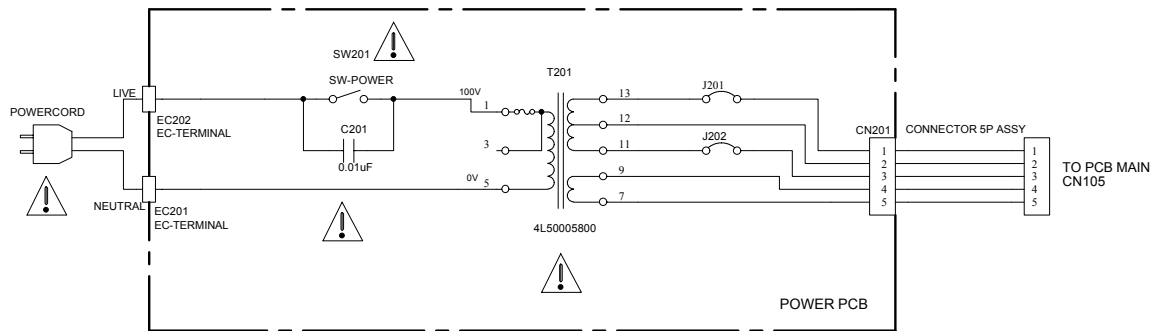
4

5

A

B

C



NOTES:

1. Resistor values are in ohms (k=kilo-ohms, M=megohms).
2. Capacitor values are in microfarads (p=picofarads).
3. \triangle Parts marked with this sign are safety critical components. They must always be replaced with identical components-refer to the appropriate parts list and ensure exact replacement.

注意

1. 抵抗の単位は Ω (k=k Ω , M=M Ω)です。
2. コンデンサの単位は μF (p=pF)です。
3. \triangle マークのある部品は安全規格重要部品です。交換するときは必ずティアック指定の部品を使用してください。

CD-P1850

COMPACT DISC PLAYER

1st Issue; March 2001